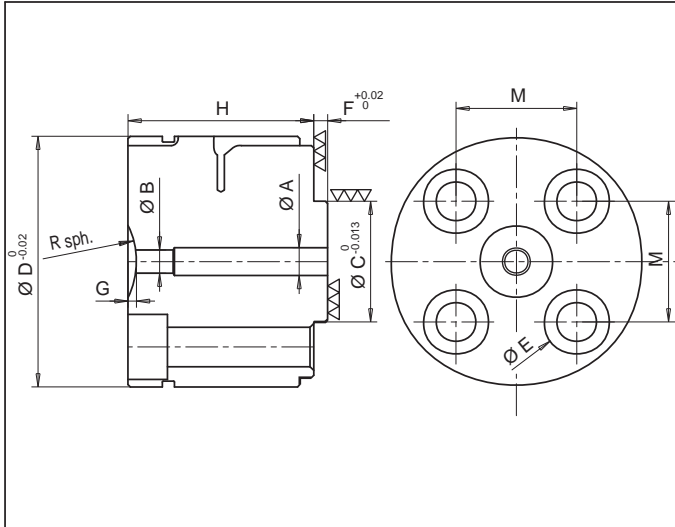
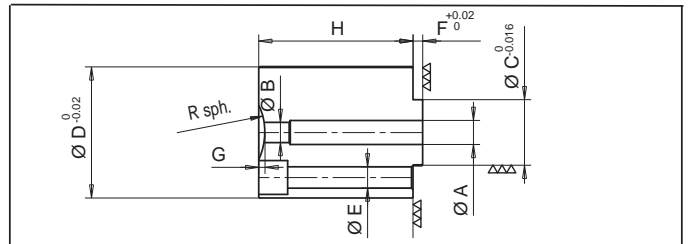


• INJECTION BUSHING / ANGIEßBUCHSE

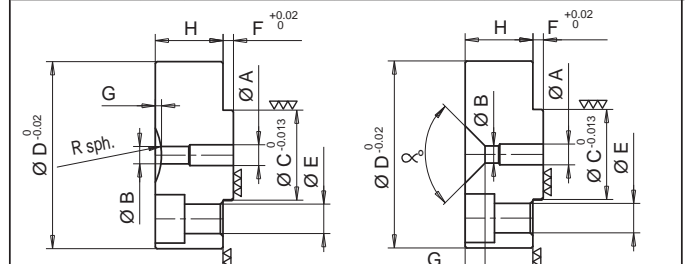
Material / Material : Steel / Stahl HRc 50-52



Code	A	B	R	C	D	E	F	G	H	M	Heater Heizung	Thermocouple Thermofühler
E09065	6											
E09066	8	5										
E09067	10		0					0				
E09068	12	7										
E09069	15	8										
E09070	6											
E09071	8	5										
E09072	10		1/2"					4.79				
E09073	12	7										
E09074	15	8										
E09075	6			26	54	N4	3		40	26	E09053	E07033
E09076	8	5				M8X45						
E09077	10		19.5					2				
E09078	12	7										
E09079	15	8										
E09080	6											
E09081	8	5										
E09082	10		40					1				
E09083	12	7										
E09084	15	8										
E09125	8	5										
E09126	10		0					0				
E09127	12	7										
E09128	15	8										
E09130	8	5										
E09131	10		1/2"					4.79				
E09132	12	7										
E09133	15	8		26	54	N4	3		60	26	E09056	E05505
E09135	8	5				M8X45						
E09136	10		19.5					2				
E09137	12	7										
E09138	15	8										
E09140	8	5										
E09141	10		40					1				
E09142	12	7										
E09143	15	8										
E09185	10	5										
E09186	12	7						0				
E09187	15	8										
E09190	10	5										
E09191	12	7	1/2"					4.79				
E09192	15	8										
E09195	10	5		26	54	N4	3		84	26	E09059	E05505
E09196	12	7	19.5			M8X45		2				
E09197	15	8										
E09200	10	5										
E09201	12	7						1				
E09202	15	8										

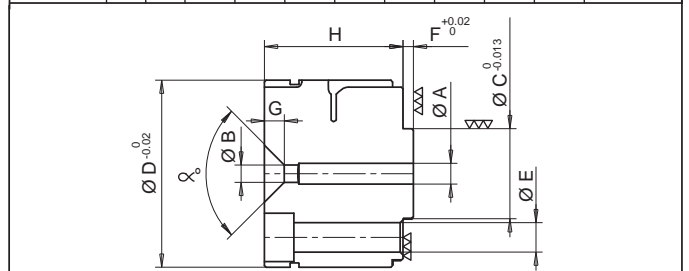


Code	A	B	R	C	D	E	F	G	H	M	Heater Heizung
E05272			0			Ø 11					
E05273	20	8	19.5	34	68	N4	5	3	80	33	E05297
E05274			40			M10X90					



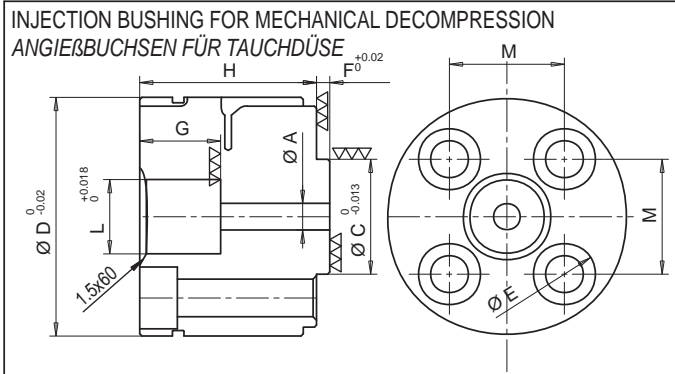
Code	A	B	R	C	D	E	F	G	H	M	Heater Heizung
E04840	6										
E04841	8	5									
E04842	10		0					0			
E04843	12	7									
E05107	15	8									
E05099	6										
E05101	8	5									
E05110	10		1/2"					4.79			
E05111	12	7									
E05108	15	8									
E04844	6			26	54	N4	3		22	26	
E04845	8	5				M8X25					
E04846	10		19.5								
E04847	12	7						2			
E05109	15	8									
E04848	6										
E04849	8	5									
E04850	10		40					1			
E04851	12	7									
E17300	15	8									

Code	A	B	α°	C	D	E	F	G	H	M	Heater Heizung
E04852	6										
E04853	8	5	90	26	54	N4	3	7.5	22	26	
E04854	10					M8X25					
E05112	12	7						6.5			

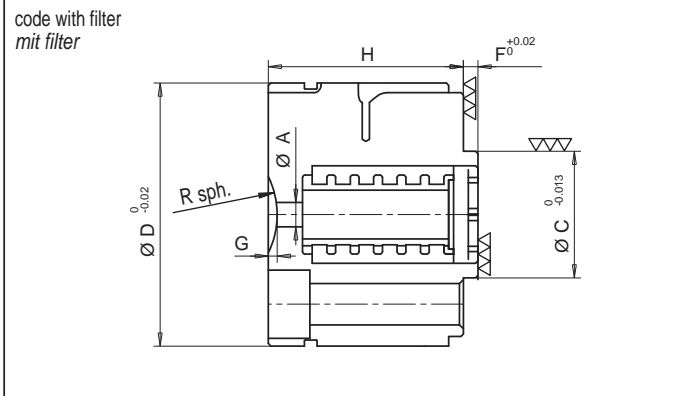


Code	A	B	α°	C	D	E	F	G	H	M	Heater Heizung	Thermocouple Thermofühler
E09085	6											
E09086	8	5						7.5				
E09087	10								40		E09053	E07033
E09088	12	7						6.5				
E17729	15	8						6				
E09145	8	5	90°	26	54	N4	3	7.5		26		
E09146	10					M8X45						
E09147	12	7						6.5	60		E09056	E05505
E17730	15	8						6				
E09205	10	5						7.5				
E09206	12	7						6.5	84		E09059	E05505
E17731	15	8						6				

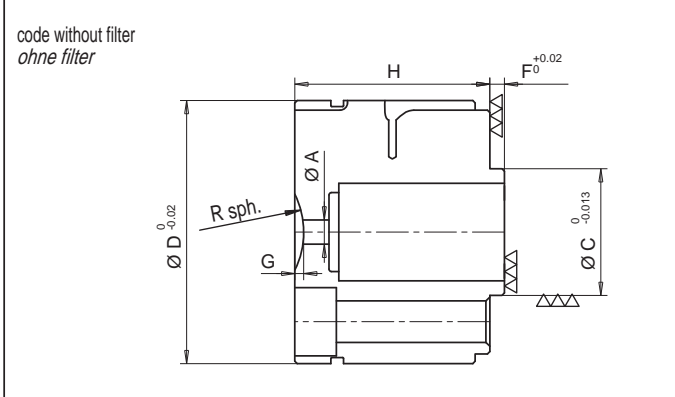
• INJECTION BUSHING WITH FILTER / ANGIEßBUCHSEN MIT FILTER Material / Material Steel / Stahl HRc 50-52



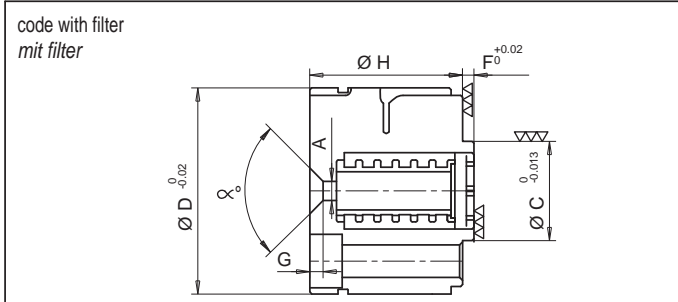
Code	A	C	D	E	F	G	L	H	M	Heater Heizung	Termocouple Thermofühler
E09089	6										
E09090	8						14				
E09091	10										
E09092	6	26	54	8.5	3	16		40	26	E09053	E07033
E09093	8			M8X45			16				
E09094	10										
E09095	12										



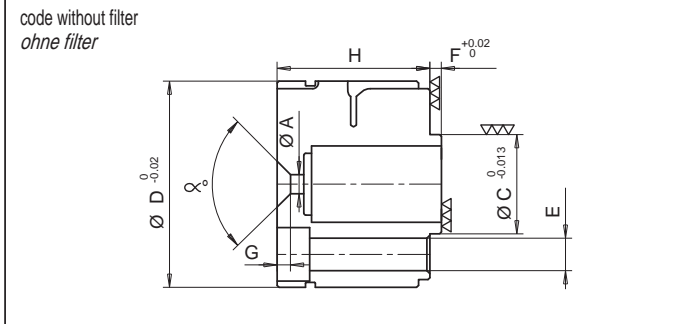
Code	A	R	C	D	E	F	G	H	M	Heater Heizung	Termocouple Thermofühler
E09096	6.5										
E09097	8.5	0					0				
E09098	6.5						2				
E09099	8.5	19.5						46	26	E09053	E07033
E09100	6.5		26	54	8.5	3					
E09101	8.5				M8X45		1				
E09102	6.5						4.79				
E09103	8.5	1/2"									



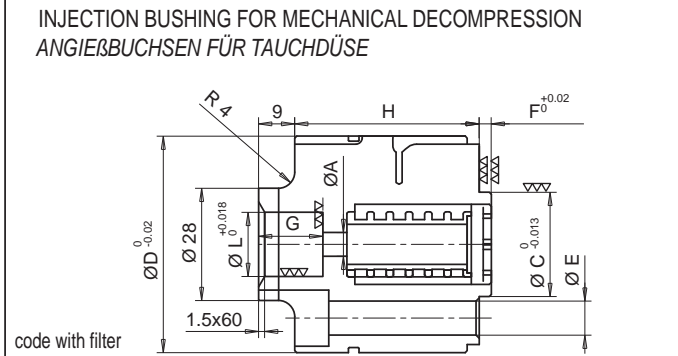
Code	A	R	C	D	E	F	G	H	M	Heater Heizung	Termocouple Thermofühler
E09104	6.5										
E09105	8.5	0					0				
E09106	6.5						2				
E09107	8.5	19.5						46	26	E09053	E07033
E09108	6.5		26	54	8.5	3					
E09109	8.5				M8X45		1				
E09110	6.5						4.79				
E09111	8.5	1/2"									



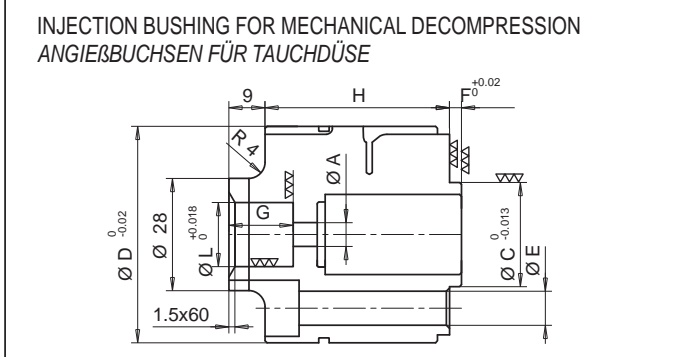
Code	A	α°	C	D	E	F	G	H	M	Heater Heizung	Termocouple Thermofühler
E09112	6.5	90	26	54	8.5	3	7.5	46	26	E09053	E07033
E09113	8.5				M8X45		6.5				



Code	A	α°	C	D	E	F	G	H	M	Heater Heizung	Termocouple Thermofühler
E09114	6.5	90	26	54	8.5	3	7.5	46	26	E09053	E07033
E09115	8.5				M8X45		6.5				



Code	A	C	D	E	F	G	L	H	M	Heater Heizung	Termocouple Thermofühler
E09116	6.5						14				
E09117	8.5	26	54	8.5	3	16		46	26	E09053	E07033
E09118	6.5						16				
E09119	8.5										



Code	A	C	D	E	F	G	L	H	M	Heater Heizung	Termocouple Thermofühler
E09120	6.5						14				
E09121	8.5	26	54	8.5	3	16		46	26	E09053	E07033
E09122	6.5						16				
E09123	8.5										